

# Lanzar® VECTOR

Lanzar Audio Inc.  
1600 63rd Street, Brooklyn, NY 11204  
(718) 535-1800  
[www.lanzar.com](http://www.lanzar.com)

# Lanzar® VECTOR

VCT-2010  
VCT-2610  
VCT-4110  
VCT-1500D  
VCT-3000D



A M E R I C A N C R A F T E D P E R F O R M A N C E

*Owner's Manual* [www.lanzar.com](http://www.lanzar.com)

## congratulations...

Congratulations on your purchase of a LanzaR VECTOR series amplifier. You have purchased a quality product designed and engineered to give you many years of uncompromised musical service. VECTOR series amplifiers are designed with the latest technology available, which provides headroom for even the most demanding peaks and dynamic ranges found on modern CD's and recordings.

## table of contents

features and specifications VCT-2010	2-3	stereo/mono input connections VCT-2610	15-16
features and specifications VCT-2610	4-5	system wiring speaker connections VCT-2010/VCT-2610	17
features and specifications VCT-4110	6-7	input connections VCT-4110	18
features and specifications VCT-1500D	8-9	speaker connections VCT-4110	19
features and specifications VCT-3000D	10-11	mono input connections VCT-1500D/VCT-3000D	20
electrical connections VCT-2010/VCT-2610 VCT-4110/VCT-1500D/VCT-3000D	12	speaker connections VCT-1500D/VCT-3000D	21-23
stereo/mono input connections VCT-2010	13-14	mounting and installation	24
		protection circuitry and troubleshooting	25
		precautions	26

# LanzaR

# features and specifications

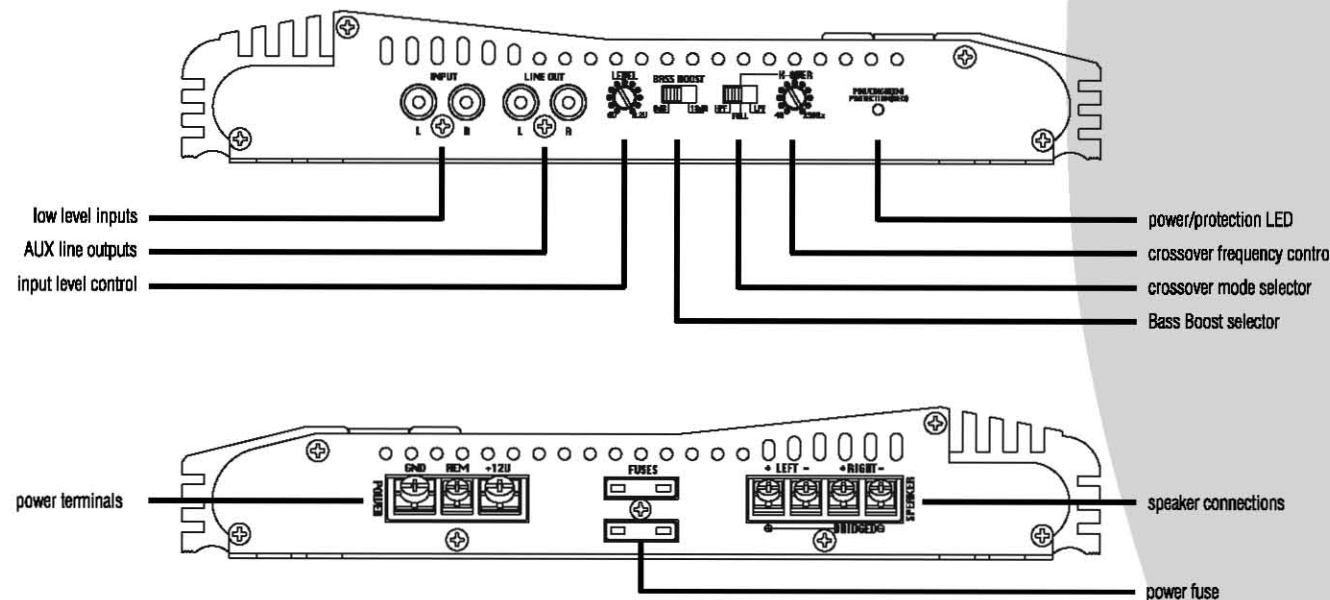
## 2 ch amp VCT-2010

- crossover mode selector** When used with normal, full range system, set this switch to "FULL". If you wish to use the internal crossover to power a driver or specific frequency range, use the "LPF" or "HPF" FOR the "LOWPASS" OR "HIGHPASS" settings.
- input level controls** Enables the matching of input levels to the output levels from head unit (or other signal source). The input sensitivity of adjustment ranges from 6V to 200mV.
- crossover frequency control** When crossover mode selector is in HIGHPASS mode, this control sets the lower frequency limit for audio program sent to the speakers. When crossover mode selector is in LOWPASS mode, this control sets the upper frequency limit for audio program sent to the speakers. The crossover is continuously variable adjustment from 40 to 250 Hz. This selector switch permits the bass level an increase of 18dB.
- base boost selector**
- low level input** This amp features RCA type jacks for high impedance input. Use these with car stereo output which uses RCA type connector cables.
- high level input** If your car stereo jacks are not RCA type output, use the high-low level input adaptor to connect the speaker output leads of carstereo and the RCA input jacks of amp.
- AUX line outputs** This amp features RCA jacks for AUX line outputs. Use these for unlimited system expansion to the next VECTOR.
- power LED** This indicator is illuminated in GREEN when power is applied.
- protection LED** This indicator is illuminated in RED when the built-in protection circuitry is activated.
- power fuse** The fuse protects the amplifier and your car's electrical system from short circuit conditions.
- power terminals** Use these connectors to deliver power, ground, and remote turn-on control to the amplifier.
- speaker connectors** These terminals are to guarantee high conductivity and minimum signal loss.

<b>output power @ 14.4V DC, 1KHz</b>	<b>VCT-2010</b>
<b>RMS Power @ 4 Ohms</b>	35 Watts x 2
<b>THD @ 4 Ohms</b>	45 Watts x 2
<b>RMS Power @ 2 Ohms</b>	70 Watts x 2
<b>THD @ 2 Ohms</b>	100 Watts x 2
<b>Maximum Power Output</b>	800 Watts
<b>Bridged Power at 4 Output</b>	1000 Watts
<b>frequency response</b>	15 Hz-30 KHz
<b>input impedance</b>	10K Ohms
<b>low level inputs</b>	10K Ohms
<b>input sensitivity</b>	200mV-6V Adjustable
<b>low level inputs</b>	200mV-6V Adjustable
<b>S/N ration</b>	>95dB
<b>channel separation</b>	>65dB
<b>crossover filters</b>	
<b>low Pass</b>	40 Hz-250 Hz
<b>high Pass</b>	40 Hz-250 Hz
<b>bass boost</b>	0 / +18dB
<b>matching speaker impedance</b>	
<b>stereo mode</b>	2-4 Ohms
<b>bridged mode</b>	4-8 Ohms
<b>maximum current draw</b>	20A x 2
<b>power supply voltage</b>	14.4V DC Neg. Ground (10.5-16V)
<b>dimensions (W x H x L)</b>	
<b>mm</b>	270 x 45.2 x 190
<b>inches</b>	10.63 x 1.78 x 7.48

# features and controls

## 2 ch amp VCT-2010



# features and specifications

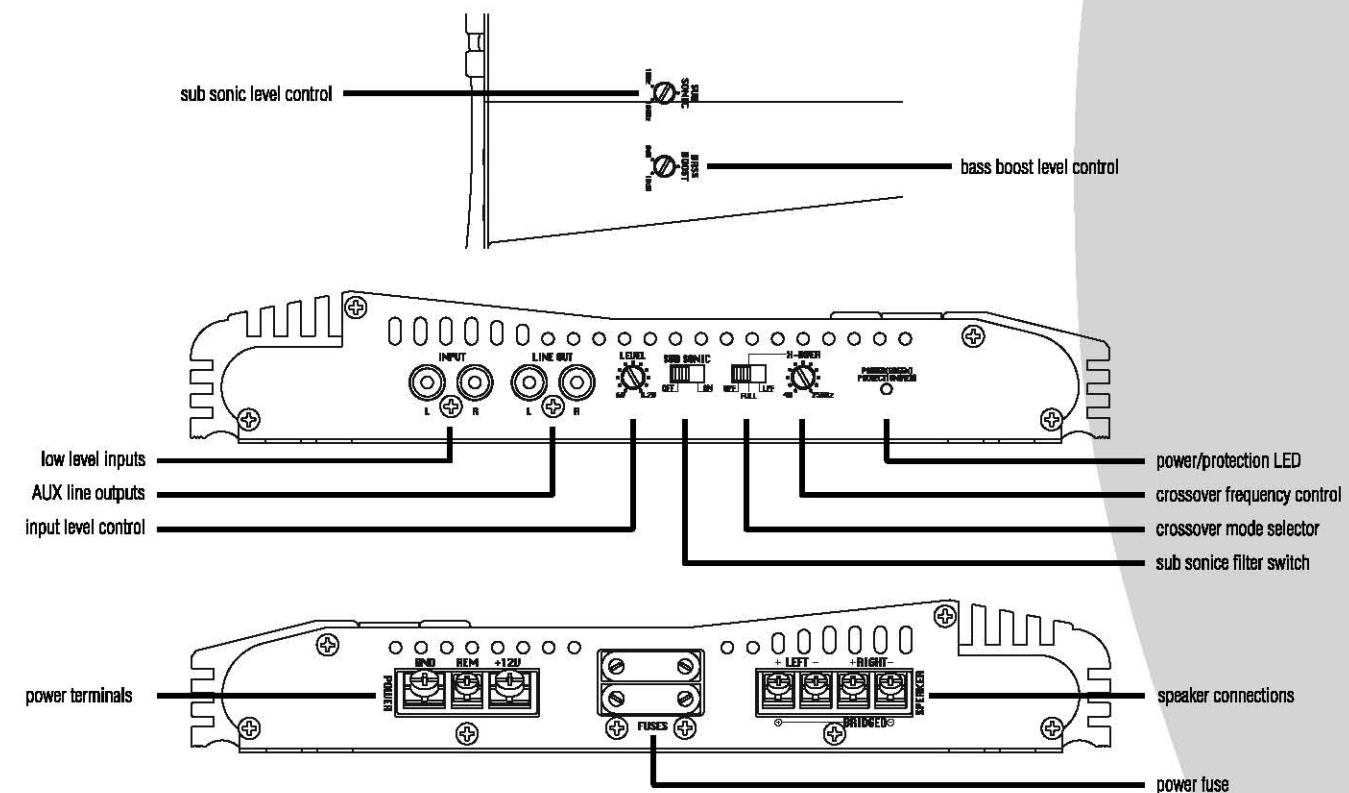
## 2 ch amp VCT-2610

- crossover mode selector** When used with normal, full range system, set this switch to "FULL". If you wish to use the internal crossover to power a driver or specific frequency range, use the "LPF" or "HPF" for the "LOWPASS" OR "HIGHPASS" settings.
- input level controls** Enables the matching of input levels to the output levels from head unit (or other signal source). The input sensitivity of adjustment ranges from 6V to 200mV.
- crossover frequency control** When crossover mode selector is in HIGHPASS mode, this control sets the lower frequency limit for audio program sent to the speakers. When crossover mode selector is in LOWPASS mode, this control sets the upper frequency limit for audio program sent to the speakers. The crossover is continuously variable adjustment from 40 to 250 Hz.
- bass boost level control** This control permits adjustment of the bass level up to an increase of approximately up to 18dB.
- sub sonic control** When the sub sonic selector switch is in "ON" mode, this filter control permits continuously variable adjustment from 10 to 100Hz.
- low level input** This amp features RCA type jacks for high impedance input.
- high level input** Use these with car stereo output which uses RCA type connector cables. If your car stereo jacks are not RCA type output, use the high-low level input adaptor to connect the speaker output leads of car stereo and the RCA input jacks of amp.
- AUX line outputs** This amp features RCA jacks for AUX line outputs. Use these for unlimited system expansion to the next VECTOR.
- power LED** This indicator is illuminated in GREEN when power is applied.
- protection LED** This indicator is illuminated in RED when the built-in protection circuitry is activated.
- power fuse** The fuse protects the amplifier and your car's electrical system from short circuit conditions.
- power terminals** Use these connectors to deliver power, ground, and remote turn-on control to the amplifier.
- speaker connectors** These terminals are to guarantee high conductivity and minimum signal loss.

<b>output power @ 14.4V DC, 1KHz</b>	<b>VCT-2610</b>
<b>RMS Power @ 4 Ohms</b>	300 Watts x 2
<b>THD @ 4 Ohms</b>	450 Watts x 2
<b>RMS Power @ 2 Ohms</b>	600 Watts x 2
<b>THD @ 2 Ohms</b>	900 Watts x 2
<b>Maximum Power Output</b>	6000 Watts
<b>Bridged Power at 4 Output</b>	8000 Watts
<b>frequency response</b>	15 Hz-30 KHz
<b>input impedance</b>	
<b>low level inputs</b>	10K Ohms
<b>input sensitivity</b>	
<b>low level inputs</b>	200mV-6V Adjustable
<b>S/N ratios</b>	>95dB
<b>channel separation</b>	>65dB
<b>crossover filters</b>	
<b>low Pass</b>	40 Hz-250 Hz
<b>high Pass</b>	40 Hz-250 Hz
<b>bass boost</b>	0 ~ +18dB
<b>sub sonic filter</b>	10-100 Hz
<b>matching speaker impedance</b>	
<b>stereo mode</b>	2-4 Ohms
<b>bridged mode</b>	4-8 Ohms
<b>maximum current draw</b>	60A x 2
<b>power supply voltage</b>	14.4V DC Neg. Ground (10.5-16V)
<b>dimensions (W x H x L)</b>	
<b>mm</b>	270 x 45.2 x 558
<b>inches</b>	10.63 x 1.78 x 21.97

# features and controls

## 2 ch amp VCT-2610



# features and specifications

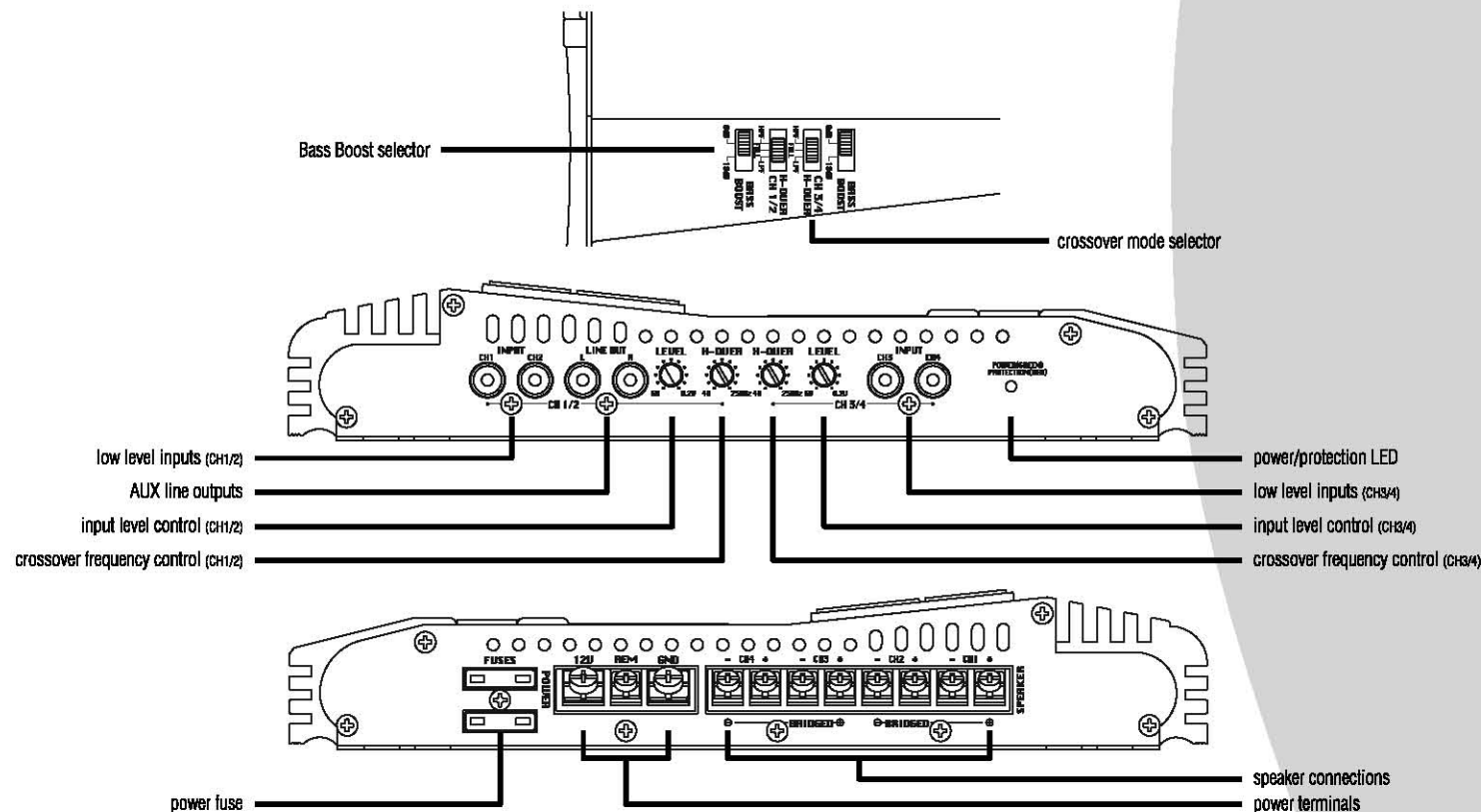
## 4 ch amp VCT-4110

- crossover mode selector** When used with normal, full range system, set this switch to "FULL". If you wish to use the internal crossover to power a driver or specific frequency range, use the "LPF" or "HPF" FOR the "LOWPASS" OR "HIGHPASS" settings.
- input level controls** Enables the matching of input levels to the output levels from head unit (or other signal source). The input sensitivity of adjustment ranges from 6V to 200mV.
- crossover frequency control** When crossover mode selector is in HIGHPASS mode, this control sets the lower frequency limit for audio program sent to the speakers. When crossover mode selector is in LOWPASS mode, this control sets the upper frequency limit for audio program sent to the speakers. The crossover is continuously variable adjustment from 40 to 250 Hz.
- bass boost level control** This control permits adjustment of the bass level up to an increase of approximately up to 18dB.
- low level input** This amp features RCA type jacks for high impedance input. Use these with car stereo output which uses RCA type connector cables.
- high level input** If your car stereo jacks are not RCA type output, use the high-low level input adaptor to connect the speaker output leads of car stereo and the RCA input jacks of amp.
- AUX line outputs** This amp features RCA jacks for AUX line outputs. Use these for unlimited system expansion to the next VECTOR.
- power LED** This indicator is illuminated in GREEN when power is applied.
- protection LED** This indicator is illuminated in RED when the built-in protection circuitry is activated.
- power fuse** The fuse protects the amplifier and your car's electrical system from short circuit conditions.
- power terminals** Use these connectors to deliver power, ground, and remote turn-on control to the amplifier.
- speaker connectors** These terminals are to guarantee high conductivity and minimum signal loss.

<b>output power @ 14.4V DC, 1KHz</b>	<b>VCT-4110</b>
<b>RMS Power @ 4 Ohms</b>	50 Watts x 4
<b>THD @ 4 Ohms</b>	75 Watts x 4
<b>RMS Power @ 2 Ohms</b>	100 Watts x 4
<b>THD @ 2 Ohms</b>	150 Watts x 4
<b>Maximum Power Output</b>	2000 Watts
<b>Bridged Power at 4 Output</b>	4000 Watts
<b>frequency response</b>	15 Hz-30 Hz
<b>input impedance</b>	10K Ohms
<b>low level inputs</b>	10K Ohms
<b>input sensitivity</b>	200mV-6V Adjustable
<b>low level inputs</b>	200mV-6V Adjustable
<b>S/N ratios</b>	>95dB
<b>channel separation</b>	>65dB
<b>crossover filters</b>	
<b>low Pass</b>	40 Hz-250 Hz
<b>high Pass</b>	40 Hz-250 Hz
<b>matching speaker impedance</b>	
<b>stereo mode</b>	2-16 Ohms
<b>bridged mode</b>	4-16 Ohms
<b>maximum current draw</b>	30A x 2
<b>power supply voltage</b>	14.4V DC Neg. Ground (10.5-16V)
<b>dimensions (W x H x L)</b>	
<b>mm</b>	270 x 45.2 x 356
<b>inches</b>	10.63 x 1.78 x 14.02

# features and controls

## 4 ch amp VCT-4110



# features and specifications

1 ch amp VCT-I500D

- input level controls** Enables the matching of input levels to the output levels from head unit (or other signal source).
- bass boost level control** This control permits adjustment of the bass level up to an increase of approximately up to 18dB.
- sub sonic control** Variable adjustment from 15 to 40Hz.
- low level input** This amp features RCA type jacks for high impedance input. Use these with car stereo output which uses RCA type connector cables.
- input sensitivity** The input sensitivity of adjustment ranges from 8V to 200mV.
- low pass filter** Variable adjustment from 50 to 150Hz.
- remote control** Adjust the low pass signal via the enclosed remote control.
- phase controller** Shift allows 0 degrees 180 degrees.
- AUX line outputs** This amp features RCA jacks or AUX line outputs. Use these for unlimited system expansion to the next VECTOR.
- power LED** This indicator is illuminated in GREEN when power is applied.
- protection LED** This indicator is illuminated in RED when the built-in protection circuitry is activated.
- master/slave cable port** MASTER/SLAVE signal cable.
- master/slave mode switch** In the SLAVE-Mode the amplifier works as a SLAVE amp, this means only the audiosignal of the MASTER amp will be amplified. All controllers on the SLAVE Amp are without function and will be assumed by the MASTER amp. In the MASTER-Mode (Low Pass mode) you are able to limit the frequencies to above with the LOW PASS controller. All controllers are active.
- power fuse** The fuse protects the amplifier and your car's electrical system from short circuit conditions.
- power terminals** Use these connectors to deliver power, ground, and remote turn-on control to the amplifier.
- speaker connectors** These terminals are to guarantee high conductivity and minimum signal loss.

**output power @ 14.4V DC, 1KHz**

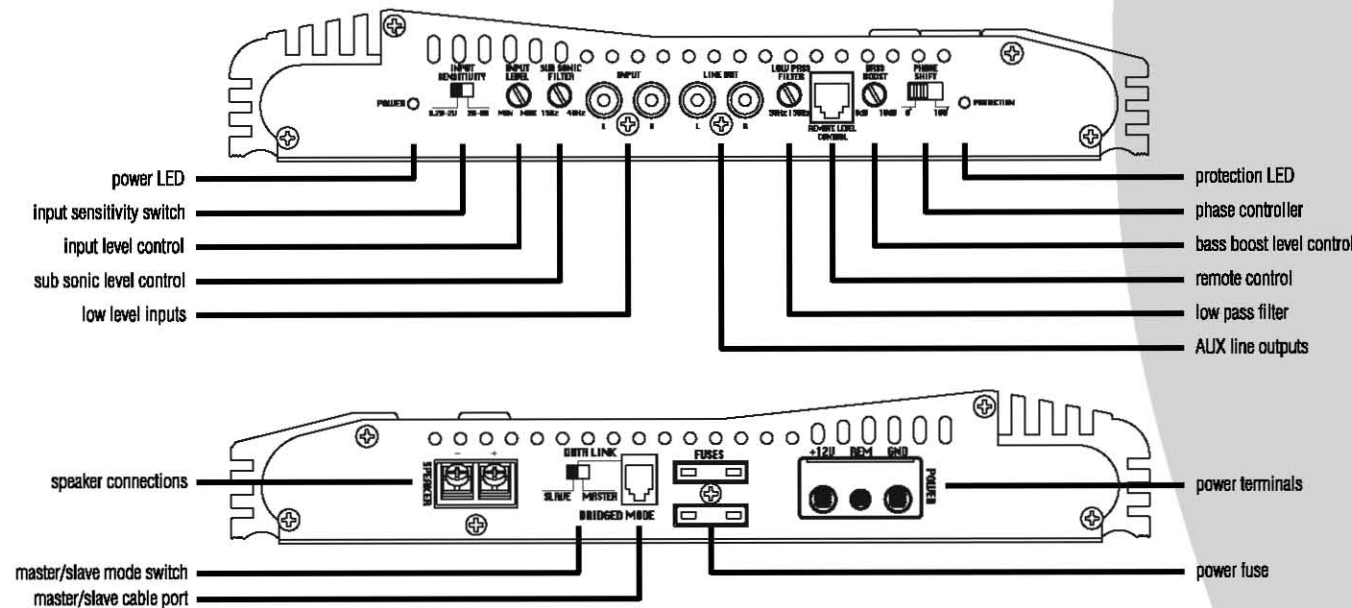
<b>RMS Power @ 4 Ohms</b>	300 Watts x 1
<b>THD @ 4 Ohms</b>	450 Watts x 1
<b>RMS Power @ 2 Ohms</b>	450 Watts x 1
<b>THD @ 2 Ohms</b>	650 Watts x 1
<b>RMS Power @ 1 Ohms</b>	500 Watts x 1
<b>THD @ 1 Ohms</b>	1000 Watts x 1

**Maximum Power Output** 1500 Watts x 1

<b>frequency response</b>	15 Hz-150 Hz
<b>input impedance</b>	10K Ohms
<b>low level inputs</b>	10K Ohms
<b>input sensitivity</b>	0.2V-8V
<b>low level inputs</b>	200mV-8V Adjustable
<b>S/N ratio</b>	>95dB
<b>channel separation</b>	>65dB
<b>crossover filters</b>	
<b>low Pass</b>	50 Hz-150 Hz
<b>bass boost</b>	0 ~ +18dB
<b>sub sonic filter</b>	15-40 Hz
<b>matching speaker impedance</b>	
<b>stereo mode</b>	2-8 Ohms
<b>bridged mode</b>	1-8 Ohms
<b>maximum current draw</b>	30A x 2
<b>power supply voltage</b>	14.4V DC Neg. Ground (10.5-16V)
<b>dimensions (W x H x L)</b>	
<b>mm</b>	270 x 45.2 x 308
<b>inches</b>	10.63 x 1.78 x 12.13

# features and controls

1 ch amp VCT-I500D



# features and specifications

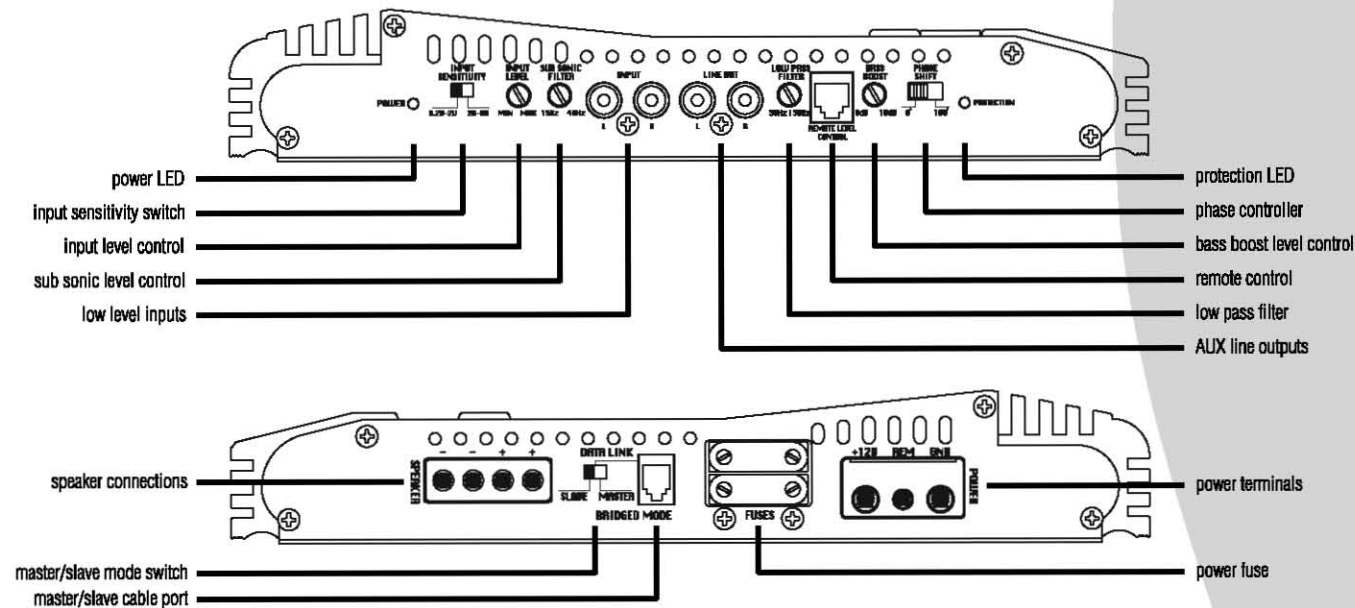
## 1 ch amp VCT-3000D

- input level controls** Enables the matching of input levels to the output levels from head unit (or other signal source).
- bass boost level control** This control permits adjustment of the bass level up to an increase of approximately up to 18dB.
- sub sonic control** Variable adjustment from 15 to 40Hz.
- low level input** This amp features RCA type jacks for high impedance input. Use these with car stereo output which uses RCA type connector cables.
- input sensitivity** The input sensitivity of adjustment ranges from 8V to 200mV.
- low pass filter** Variable adjustment from 50 to 150Hz.
- remote control phase controller** Adjust the low pass signal via the enclosed remote control. Shift allows 0 degrees 180 degrees.
- AUX line outputs** This amp features RCA jacks or AUX line outputs. Use these for unlimited system expansion to the next VECTOR.
- power LED** This indicator is illuminated in GREEN when power is applied.
- protection LED** This indicator is illuminated in RED when the built-in protection circuitry is activated.
- master/slave cable port** MASTER/SLAVE signal cable.
- master/slave mode switch** In the SLAVE-Mode the amplifier works as a SLAVE amp, this means only the audiosignal of the MASTER amp will be amplified. All controllers on the SLAVE Amp are without function and will be assumed by the MASTER amp. In the MASTER-Mode (Low Pass mode) you are able to limit the frequencies to above with the LOW PASS controller. All controllers are active.
- power fuse** The fuse protects the amplifier and your car's electrical system from short circuit conditions.
- power terminals** Use these connectors to deliver power, ground, and remote turn-on control to the amplifier.
- speaker connectors** These terminals are to guarantee high conductivity and minimum signal loss.

<b>output power @ 14.4V DC, 1KHz</b>	<b>VCT-3000D</b>
<b>RMS Power @ 4 Ohms</b>	500 Watts x 1
<b>THD @ 4 Ohms</b>	650 Watts x 1
<b>RMS Power @ 2 Ohms</b>	650 Watts x 1
<b>THD @ 2 Ohms</b>	850 Watts x 1
<b>RMS Power @ 1 Ohms</b>	1000 Watts x 1
<b>THD @ 1 Ohms</b>	2000 Watts x 1
<b>Maximum Power Output</b>	3000 Watts x 1
<b>frequency response</b>	15 Hz-150 Hz
<b>input impedance</b>	
<b>low level inputs</b>	10K Ohms
<b>input sensitivity</b>	0.2V-8V
<b>low level inputs</b>	200mV-8V Adjustable
<b>S/N ratio</b>	>95dB
<b>channel separation</b>	>65dB
<b>crossover filters</b>	
<b>low Pass</b>	50 Hz-150 Hz
<b>bass boost</b>	0 ~ +18dB
<b>sub sonic filter</b>	15-40 Hz
<b>matching speaker impedance</b>	
<b>stereo mode</b>	2-8 Ohms
<b>bridged mode</b>	1-8 Ohms
<b>maximum current draw</b>	50A x 2
<b>power supply voltage</b>	14.4V DC Neg. Ground (10.5-16V)
<b>dimensions (W x H x L)</b>	
<b>mm</b>	270 x 45.2 x 360
<b>inches</b>	10.63 x 1.78 x 14.17

# features and controls

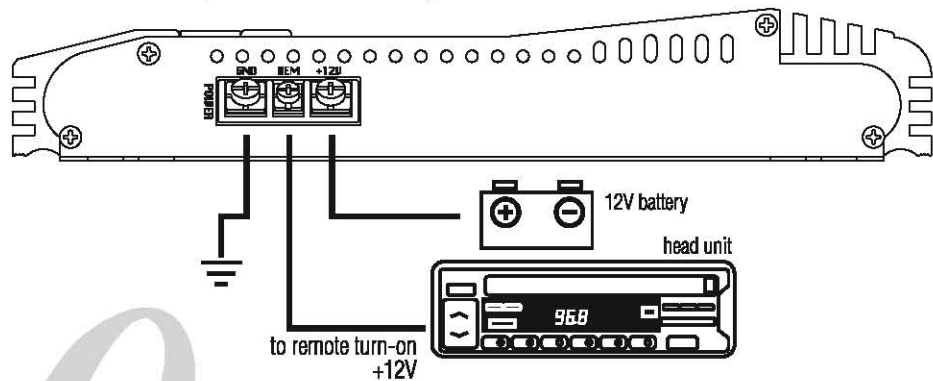
## 1 ch amp VCT-3000D



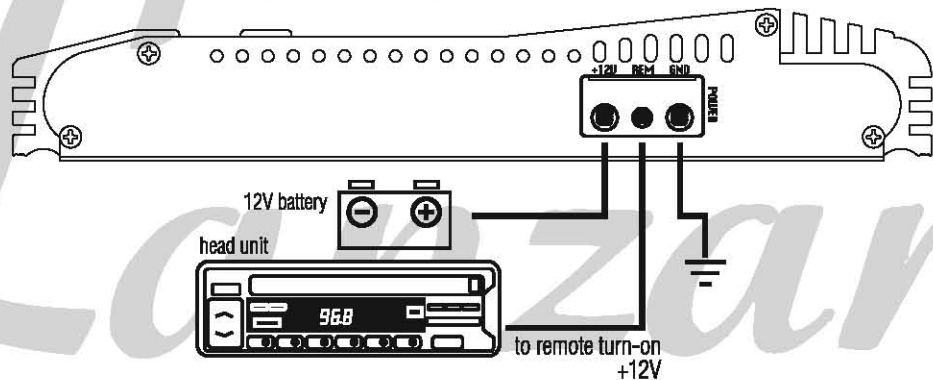


# electrical connections

VCT-2010 • VCT-2610 • VCT-4110



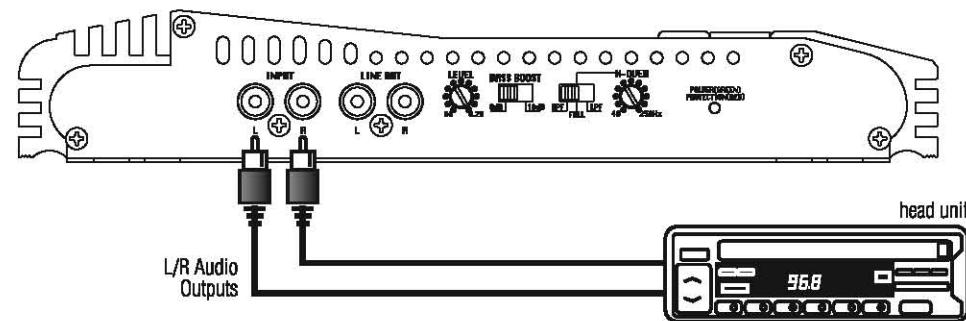
VCT-1500D • VCT-3000D



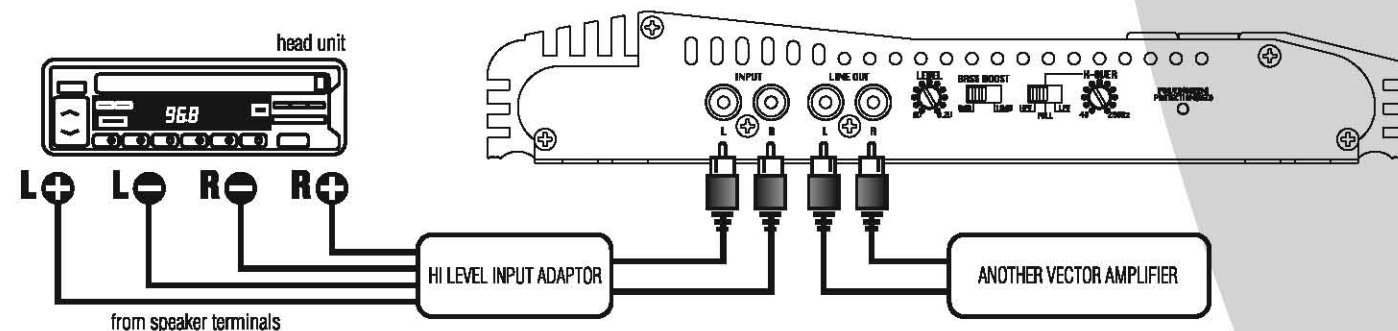
# stereo input connections

2 ch amp • VCT-2010

using low level inputs



using high level inputs

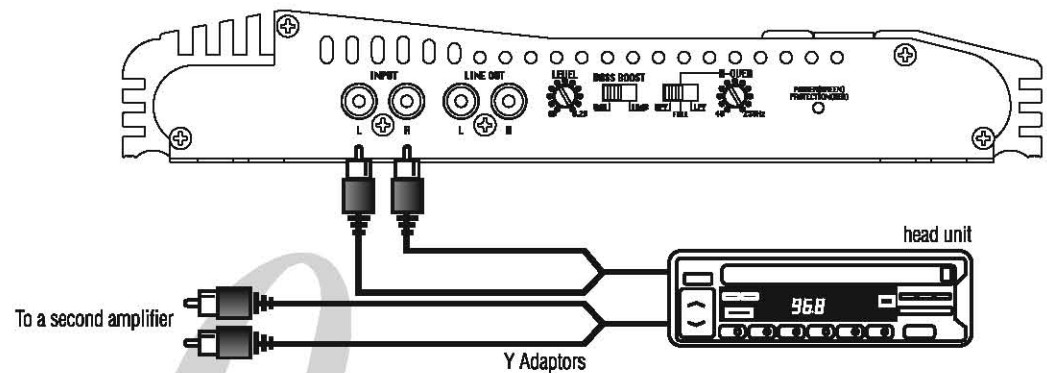




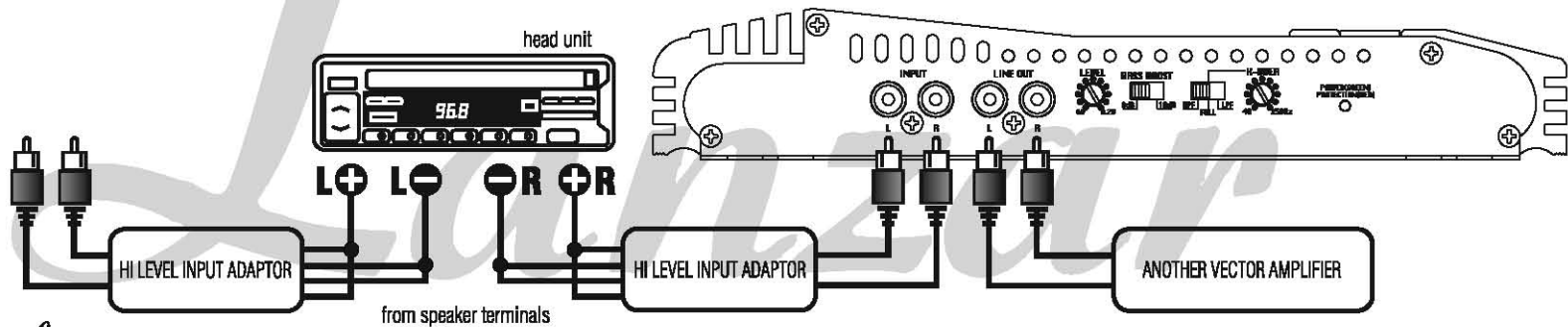
# mono input connections

2 ch amp • VCT-2010

using low level inputs



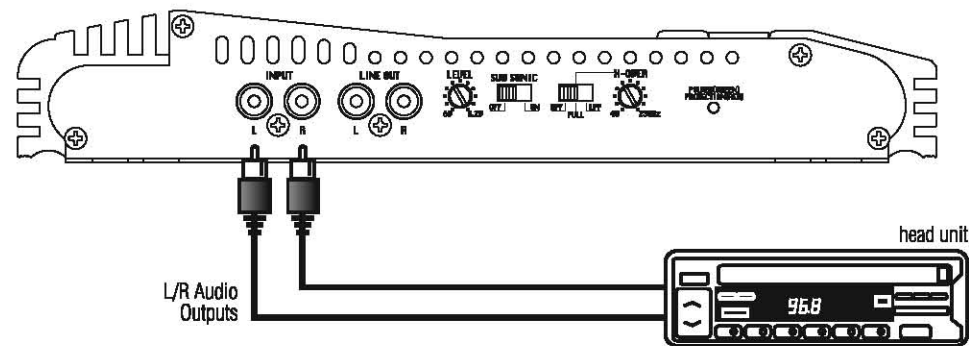
using high level inputs



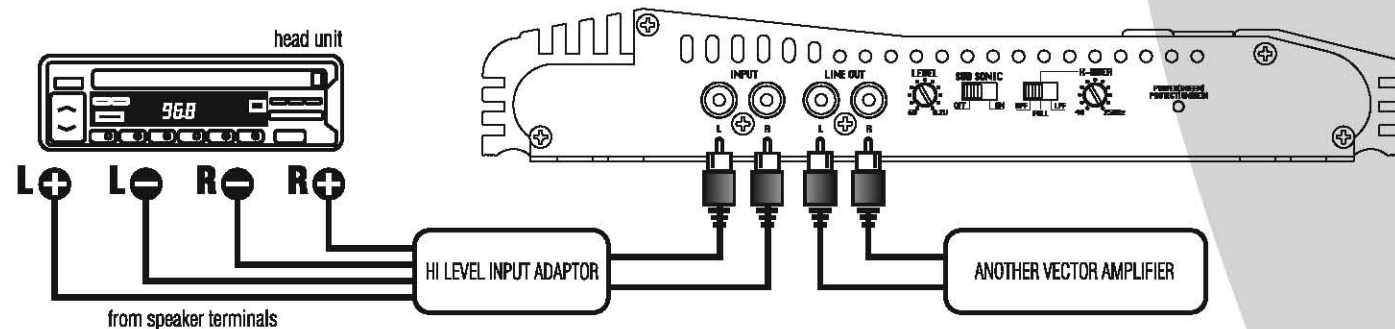
# stereo input connections

2 ch amp • VCT-2610

using low level inputs



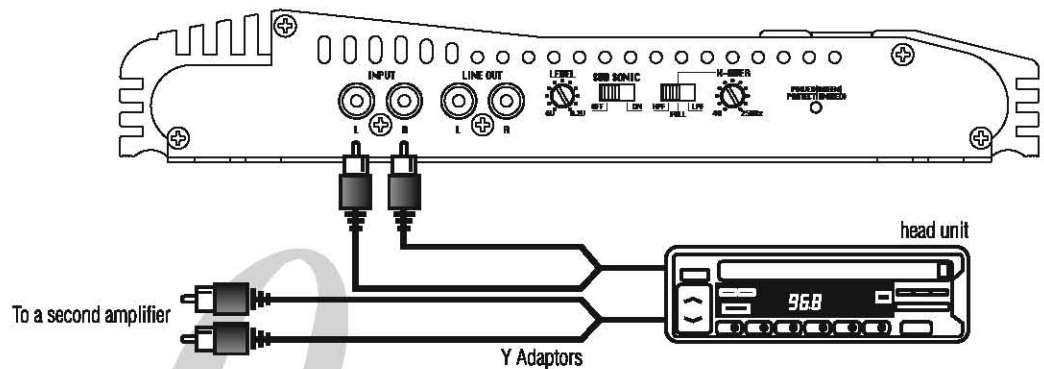
using high level inputs



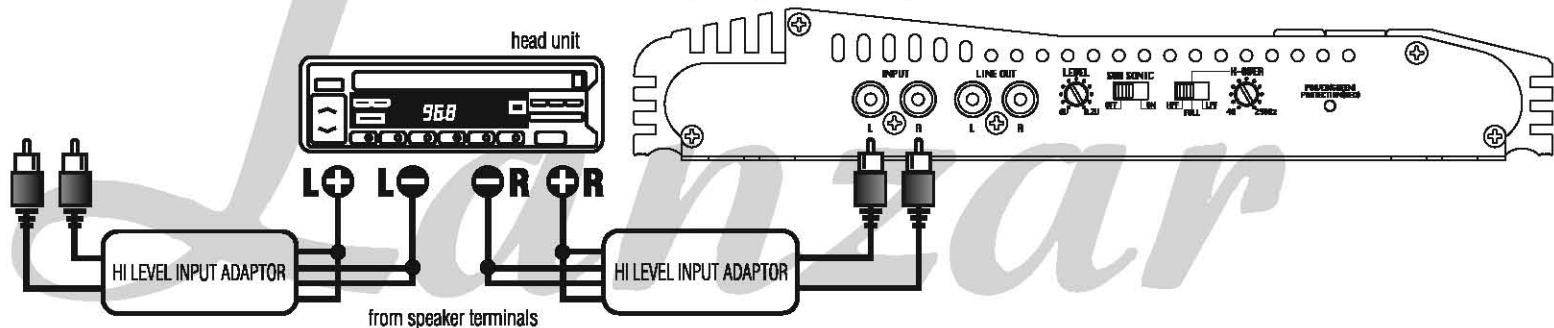
# mono input connections

2 ch amp • VCT-2610

## using low level inputs



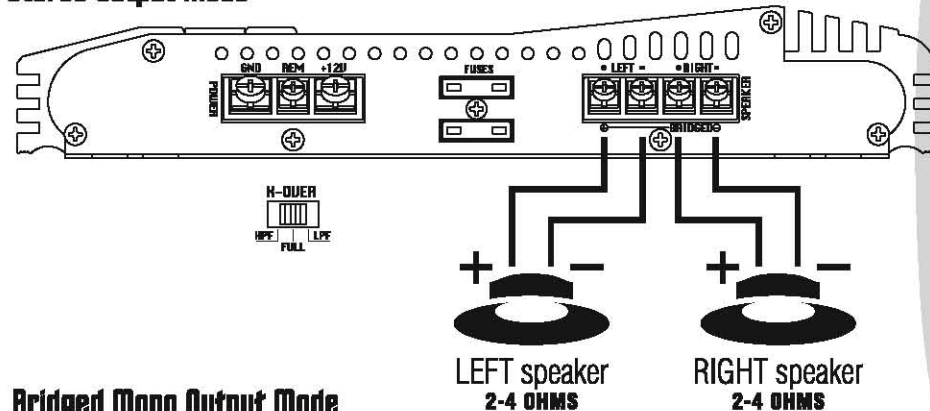
## using high level inputs



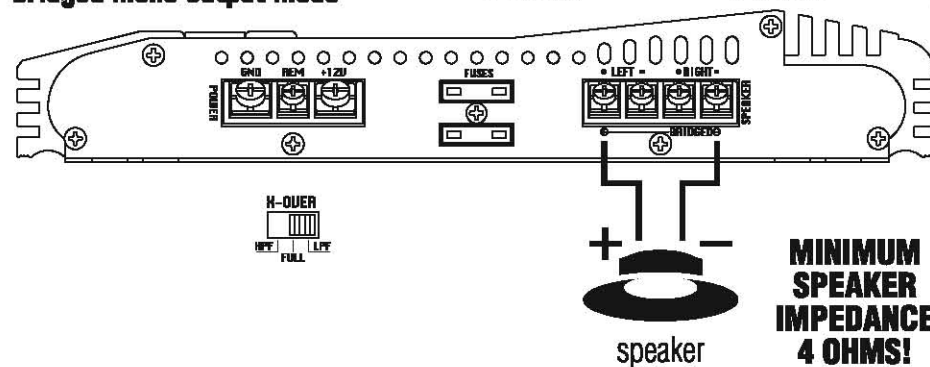
# speaker connections

2 ch amp • VCT-2010 • VCT-2610

## Stereo Output Mode



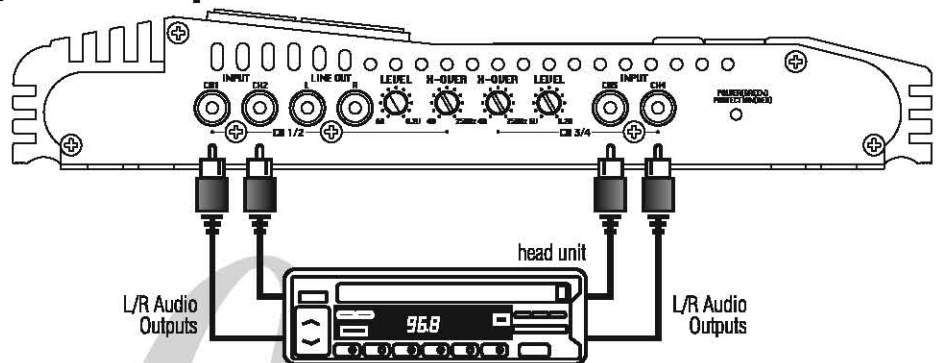
## Bridged Mono Output Mode



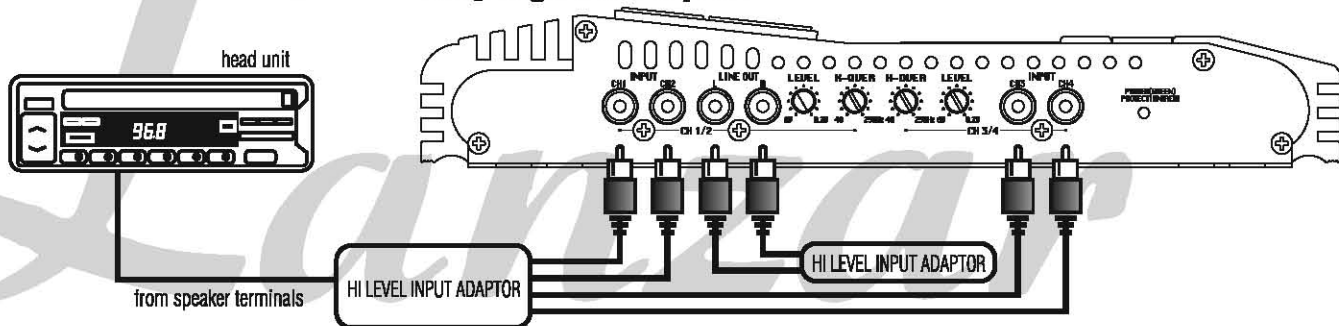
# input connections

4 ch amp VCT-4110

## using low level inputs



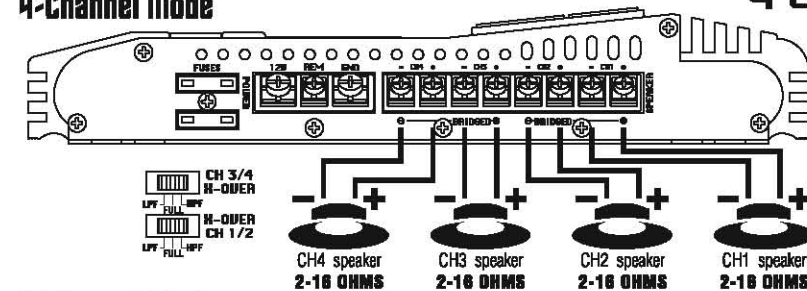
## using high level inputs



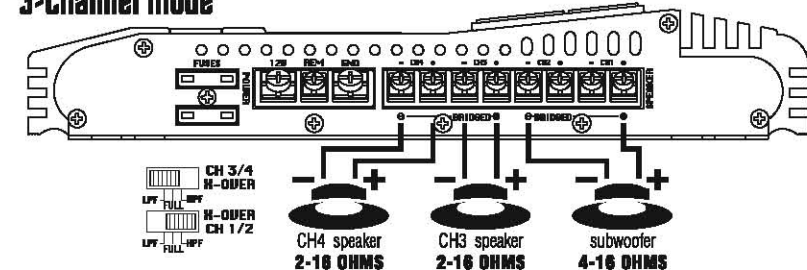
# speaker connections

4 ch amp VCT-4110

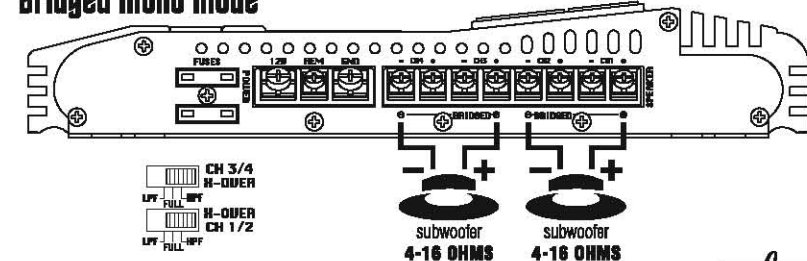
## 4-Channel Mode



## 3-Channel Mode



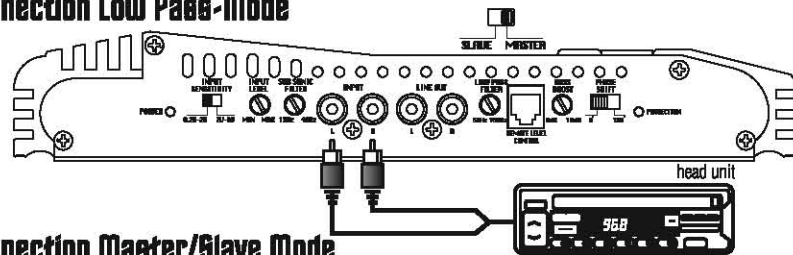
## Bridged Mono Mode



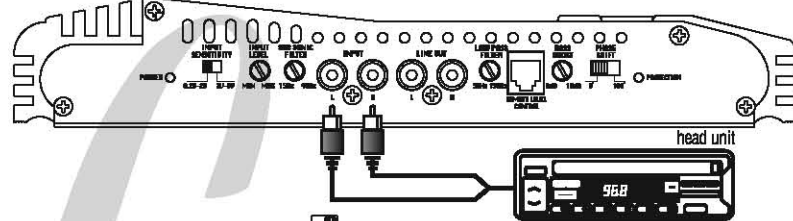
# mono input connections

1 ch amp VCT-1500D • VCT-3000D

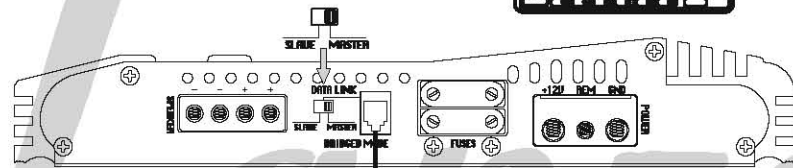
## Interconnection Low Pass-Mode



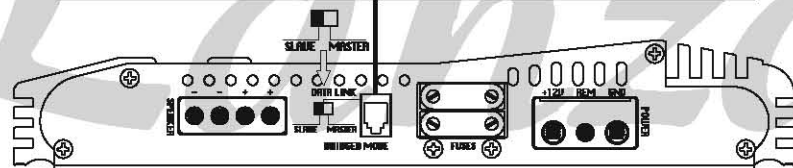
## Interconnection Master/Slave Mode



Master



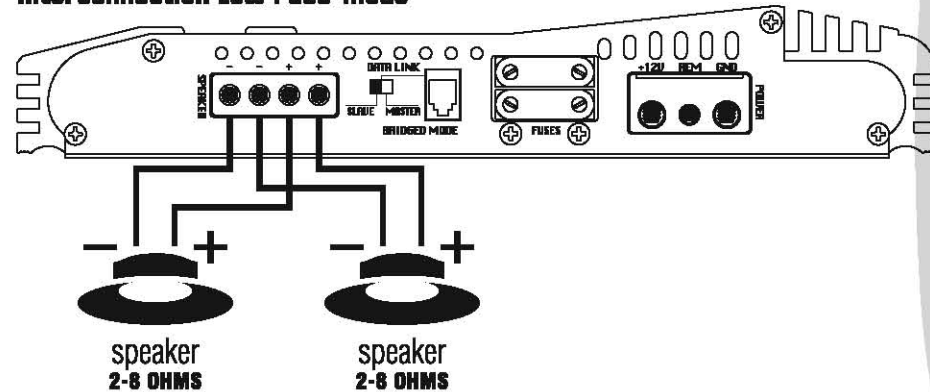
Slave



# speaker connections

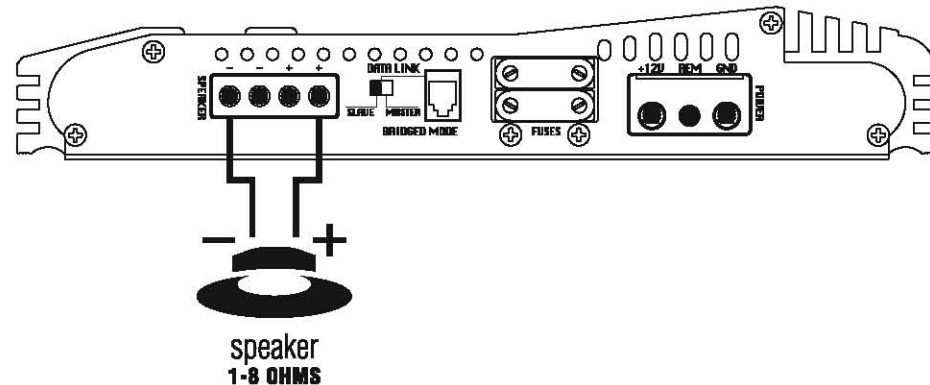
1 ch amp VCT-1500D • VCT-3000D

## Interconnection Low Pass-Mode



speaker  
2-8 OHMS

speaker  
2-8 OHMS



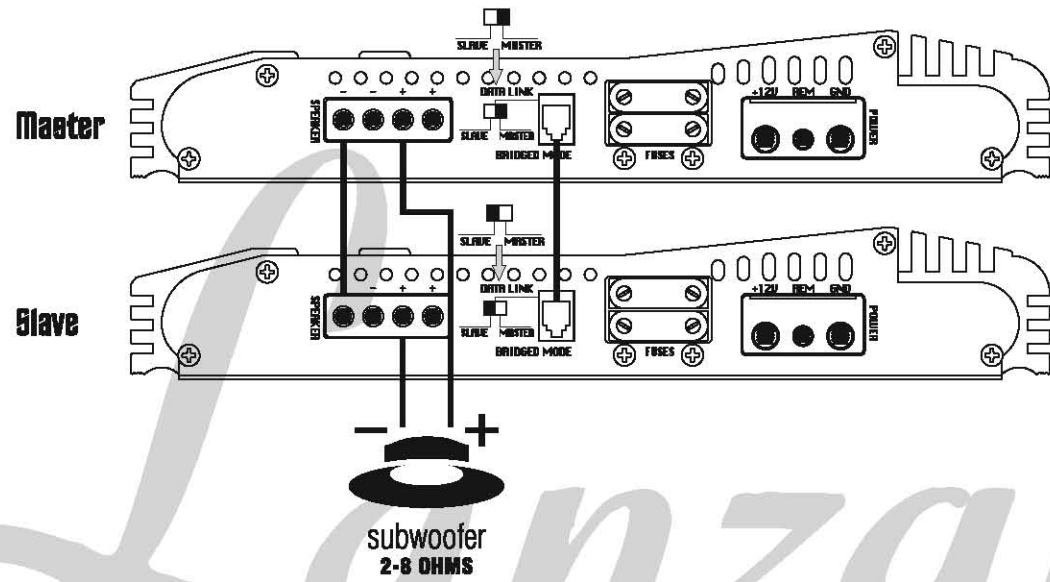
speaker  
1-8 OHMS

# speaker connections

1 ch amp VCT-1500D • VCT-3000D

Interconnection Master/Slave Mode

Interconnection example 1 subwoofer with a single-Voicecoil



subwoofer  
2-8 OHMS

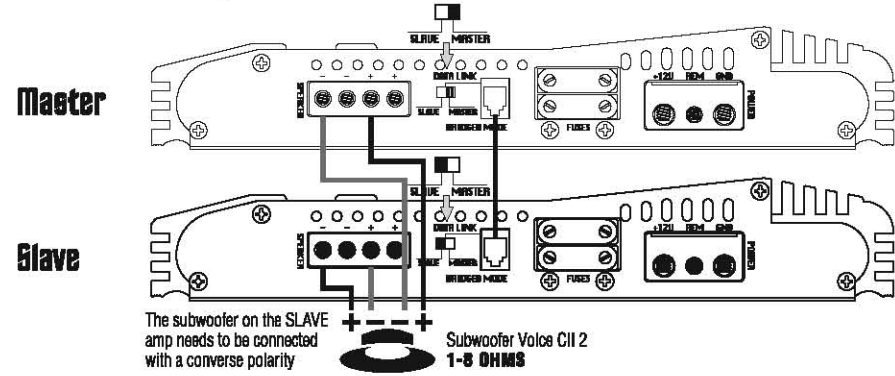
*Lanza*

# speaker connections

1 ch amp VCT-1500D • VCT-3000D

Interconnection Master/Slave Mode

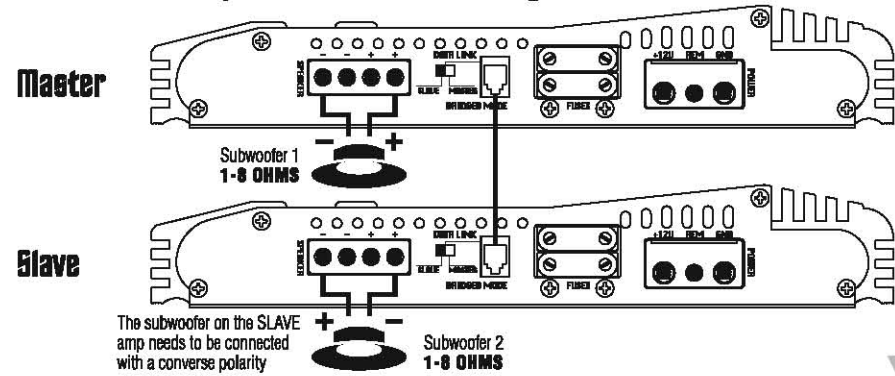
Interconnection example 1 subwoofer with a Dual-Voicecoil



The subwoofer on the SLAVE amp needs to be connected with a converse polarity

Subwoofer Voice Coil 2  
1-8 OHMS

Interconnection example 2 subwoofer with Single-Voicecoil



The subwoofer on the SLAVE amp needs to be connected with a converse polarity

Subwoofer 2  
1-8 OHMS

# mounting and installation

## mounting

Your new Lanza Vector Series amplifier comes complete with all required mounting hardware. When determining a suitable location in your vehicle for the amp, please remember that it is a high-power electronic device capable of generating high heat.

For this reason, **always choose a location in your vehicle which has low vibration, adequate ventilation, a minimum of dust, and no moisture.** Be sure to mount the amp in such a manner as to allow reasonable airflow over the cooling fins.

**Mark the location for the mounting screw holes** by positioning the amp where you wish to install it and use a scribe (or one of the mounting screws) inserted in each of the mounting holes to mark the mounting surface. If the mounting surface is carpeted, measure the hole centers and mark with a felt tip pen.

**Before attempting to drill the mounting holes, take note of any wires, lines or other devices in your vehicle which may be located behind the mounting surface!** Then drill pilot holes in the mounting surface for the mounting screws and insert them. Tighten the screws securely.

## wiring tips

**When making electrical connections to your amplifier, please observe the following:**

Use at least 8 gauge wire for power and ground connections.

Wire the amplifier directly to the car battery.

For the ground connection, use the shortest possible wire to a good chassis ground point.

Wire the Remote connection to the auto start lead of your head unit, equalizer or power antenna.

## fuses

**About power fuses:**

Lanza Vector Series amplifiers feature built-in fuse systems. These fuses protect both the amplifier and the electrical system in your vehicle from fault conditions. If you ever need to replace the fuse in your Lanza Vector Series amp, use a fuse of exactly the same type and rating. A different type or rating of fuse may result in damage or fire.

# troubleshooting

## protection circuitry

The built-in protection circuitry in the Lanza Vector Series amplifiers will disable the amplifier if it senses an input overload, a speaker short circuit, or extreme temperature conditions.

When the protection circuit is activated by any of these conditions, the Protection LED will be illuminated.

If this occurs, carefully inspect the system to determine the source of the problem.

- If the shutdown was a result of a thermal overload condition, allow the amplifier to cool down before attempting to restart it.
- If the shutdown was a result of an input overload, or speaker short circuit, be sure to correct the condition before restarting.

The amplifier can be restarted by turning the remote power OFF and then ON again.

### No output.

Confirm that all terminal strip connections are secure and tight.

Check both in-line and built-in fuses. Both the +12V and the Remote terminals must have +12v referenced to chassis ground.

Confirm that the audio signal source (car radio, equalizer, etc.) is connected and is supplying output signal. To check if the amp is supplying signal, unplug the cables from the signal source (but leave them plugged into the amp). Briefly tap the center pin of each of the disconnected RCA plugs with your finger. This should produce a noise (feedback) in your speakers.

### Only one channel works.

Confirm that all terminal strip connections are secure and tight.

Check the Balance control on the head unit (or other source) to verify that it is set to its midpoint.

If you are using the Low Level RCA input, reverse the input plugs at the amplifier (i.e., switch the L with the R). If the channels which is silent switches to the other side, the problem is either in the head unit/other source or the connecting cables.

### Weak output.

Readjust the Input Level Control(s) to better suit the input signal.

### Noise in the audio.

If the noise is a "whine" whose pitch follows the engine speed, confirm that the amplifier and any other signal sources (head unit, etc.) are properly grounded.

If the noise is a "clicking" or "popping" noise whose rate follows the engine speed, this usually means that the vehicle is equipped with resistor spark plugs and wires, or that the ignition is in need of service.

Check the routing of the speaker and input wires to make sure they are not adjacent to wires which interconnect lights and other accessories.

If the above steps fail to improve or clear noise interference, the system should be checked by a professional mobile audio installer.

## precautions

Do not operate the amplifier when it is unmounted. Attach all audio system components securely within the automobile to prevent damage, especially in an accident.

Do not mount this amplifier so that the wire connections are unprotected, or in a pinched condition, or likely to be damaged by nearby objects.

Before making or breaking power connections in your system, disconnect the vehicle battery. Confirm that your head unit or other equipment is turned off while connecting the input jacks and speaker terminals.

If you need to replace the power fuse, do so only with a fuse identical to that supplied with the amplifier. Using a fuse of a different type or rating may result in damage that isn't covered in the manufacturer's warranty.

